

Ice-O-Matic

Ice. Pure and Simple™

SERVICE PARTS MANUAL CIM SERIES CIM1545, CIM1845, CIM1446, CIM1447, CIM2046 and CIM2047 Air Cooled, Water Cooled and Remote



This parts list contains the service parts available for the following CIM Series.

CIM1446 208-230/60/1
CIM1447 208-230/60/3

CIM2046 208-230/60/1
CIM2047 208-230/60/3

CIM1545 220-240/50/1
CIM1845 220-240/50/1

Model Number Example

CIM1446HA

CIM = **C**uber **I**ce **M**achine

14 = 1400 lb, in 24 hours capacity **15**=1500 lbs, **18**=1800lbs, **20**=2000 lbs.

4 = 48 inch wide cabinet

0 = 115 Volt, **5** = 220-240/50/1 **6** = 208-230/60/1 **7** = 208-230/60/3

H = Half Cube Size, **F** = Full Cube Size

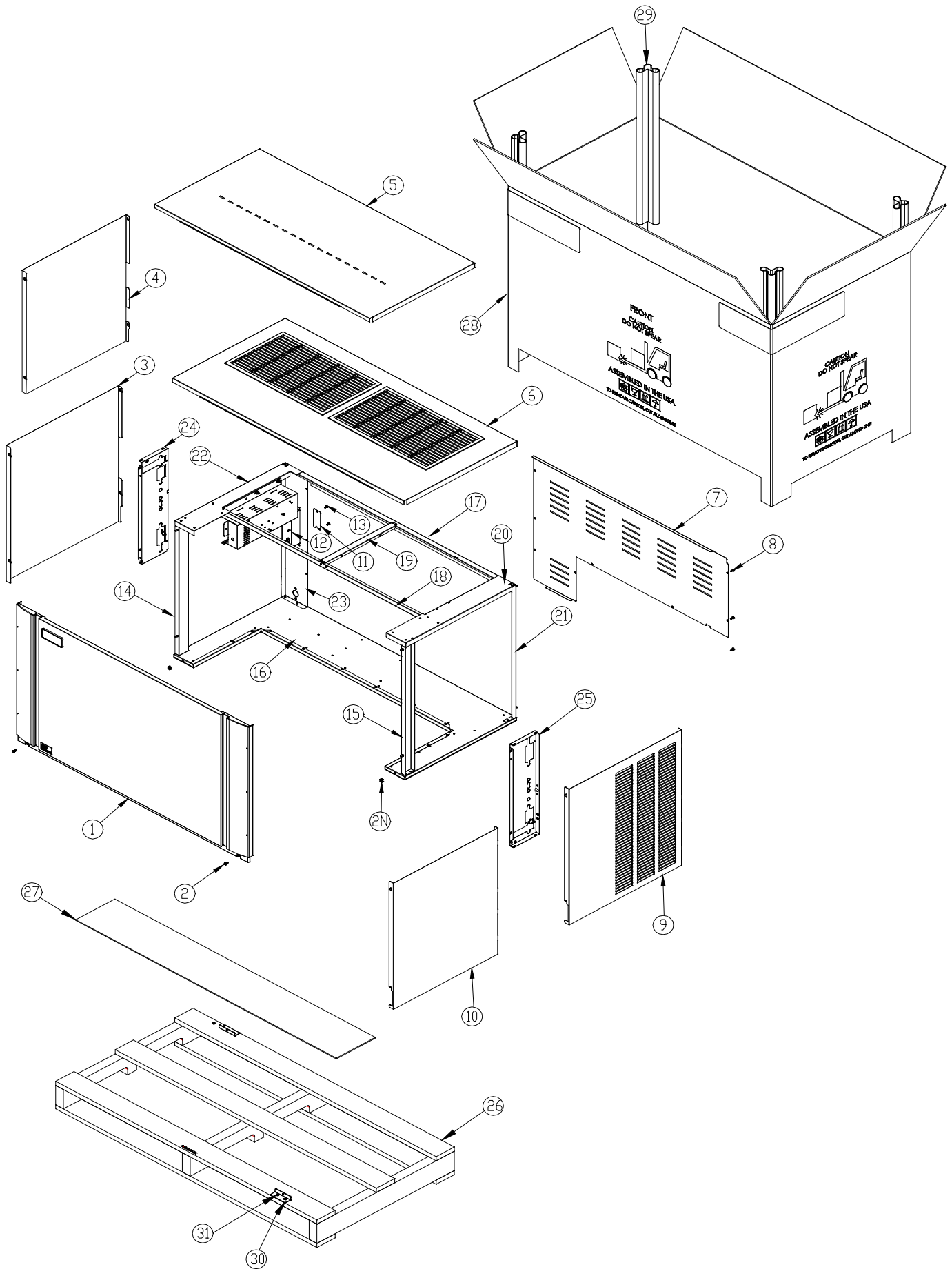
A = Air Cooled Condenser, **W** = Water Cooled Condenser **R**=Remote Condenser

Check the model number on the data plate and refer to the correct listing for the specific component.

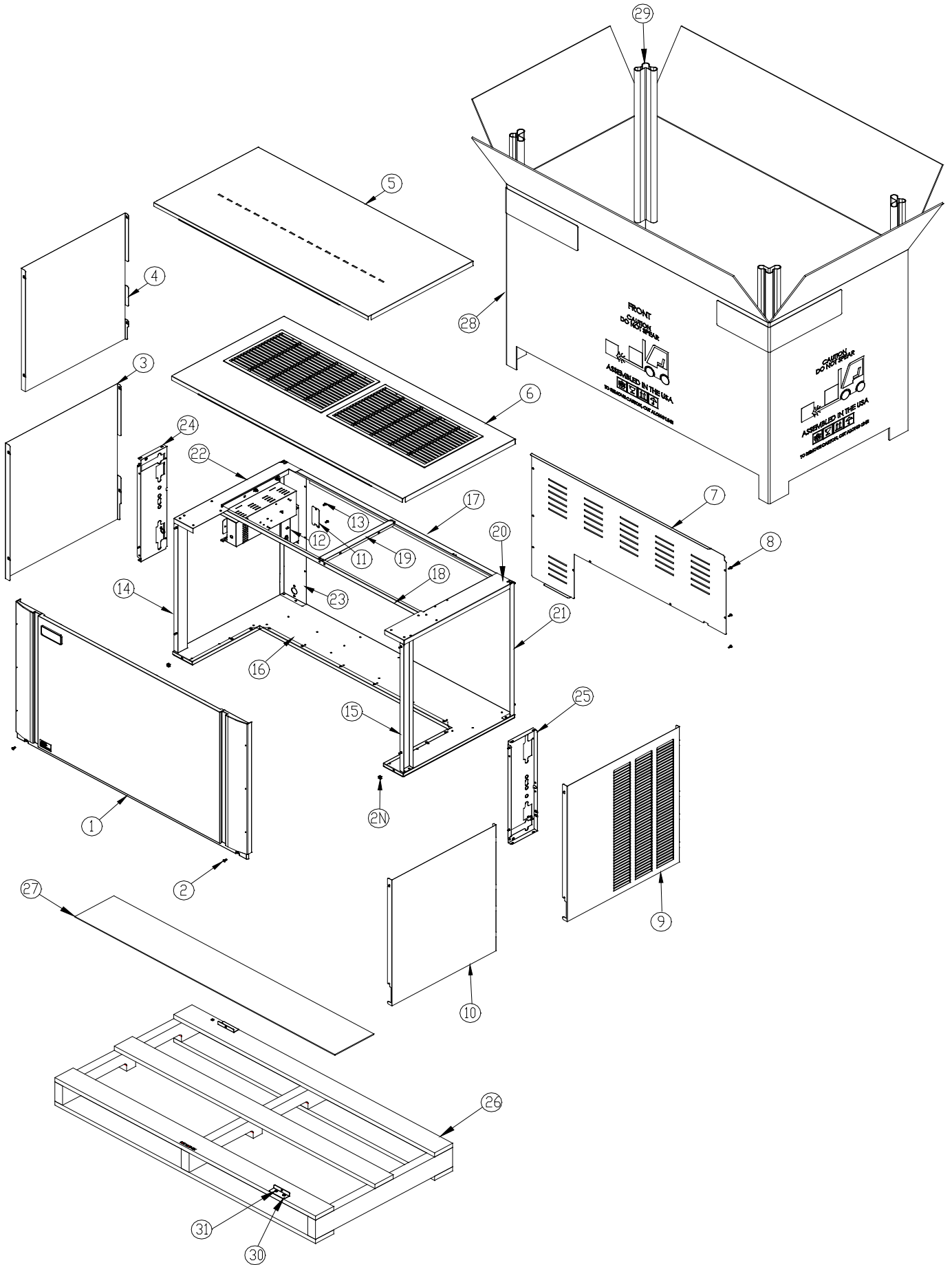
Check carefully that the correct part is identified and ordered.

Table of Contents	Page 1
Cabinet	Page 2-3
Water System	Page 4-5
Air Cooled Condenser	Page 6-7
Water Cooled Condenser	Page 8-9
Remote Condenser	Page 10-11
Electrical	Page 12-13

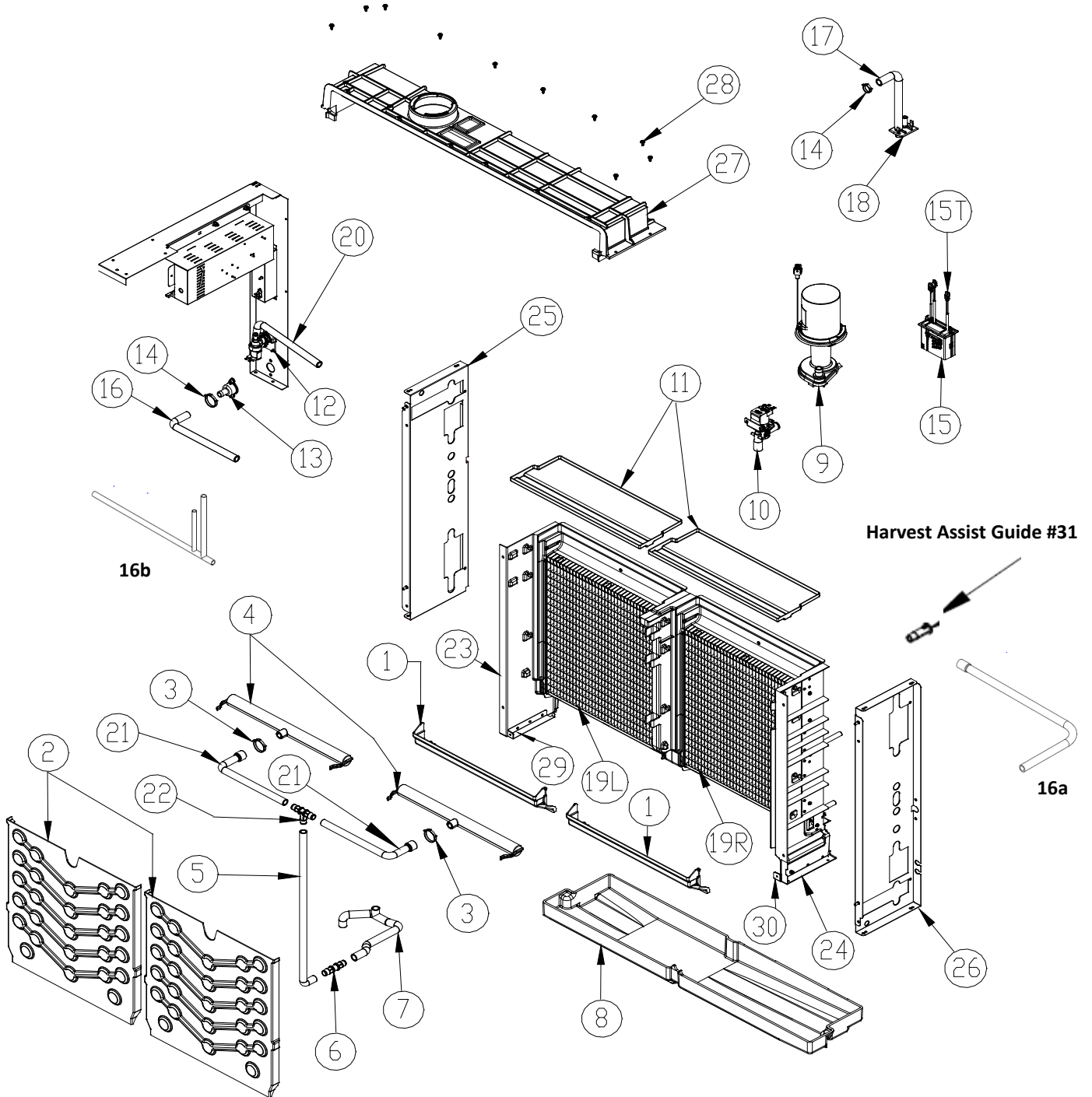
Ice-O-Matic
11100 East 45th Ave.
Denver Co. 80239
800-423-3367



Item No.	Model Number				Description	
	CIM1446	CIM1447		CIM2046		CIM2047
1	2031546-01S	2031546-01S		2031546-01S	2031546-01S	Front Panel
2	9031098-02P	9031098-02P		9031098-02P	9031098-02P	Front Panel Screws
2N	9031141-01P	9031141-01P		9031141-01P	9031141-01P	Plastic Nut
3	3022007-05	3022007-05		3022007-05	NA	Left Side Panel-Air Cooled
4	3022007-05	3022007-05		3022007-05	3022007-05	Left Side Panel-Remote and Water Cooled
5	3022012-05	3022012-05		3022012-05	3022012-05	Top Panel-Remote and Water Cooled
6	3022012-09	3022012-09		3022012-09	NA	Top Panel-Air Cooled
7	3013634-03	3013634-03		3013634-03	3013634-03	Rear Cover, Remote
8	9031046-01P	9031046-01P		9031046-01P	9031046-01P	Rear Cover Screws
9	3022007-04	3022007-04		3022007-04	NA	Right Side Panel-Air Cooled
10	3022007-06	3022007-06		3022007-06	3022007-06	Right Side Panel-Remote and Water Cooled
11	3013674-01	3013674-01		3013674-01	3013674-01	Junction Box Cover
12	2101494-01	2101494-01		2101494-01	2101494-01	Junction Box
13	9031046-01P	9031046-01P		9031046-01P	9031046-01P	Junction Box Screw
14	2021801-01	2021801-01		2021801-01	2021801-01	Left Front Corner post
15	2021801-02	2021801-02		2021801-02	2021801-02	Right Front Corner post
16	2101505-01	2101505-01		2101505-01	2101505-01	Base
17	3013636-02	3013636-02		3013636-02	3013636-02	Rear Brace 48
18	3013637-03	3013637-03		3013637-03	3013637-03	Front Brace
19	3013705-01	3013705-01		3013705-01	3013705-01	Cross Brace
20	3013722-01	3013722-01		3013722-01	3013722-01	Top Right Frame Work
21	2021808-01	2021808-01		2021808-01	2021808-01	Right Rear Corner
22	2021812-01	2021812-01		2021812-01	2021812-01	Top Left Frame 48 inch
23	2021806-01	2021806-01		2021806-01	2021806-01	Left Side Framework Assembly 48 inch
24	2021800-01	2021800-01		2021800-01	2021800-01	Front Left Brace Assembly
25	2021800-02	2021800-02		2021800-02	2021800-02	Front Right Brace Assembly
26	9011369-01	9011369-01		9011369-01	9011369-01	Elevation Skid
27	9011378-03	9011378-03		9011378-03	9011378-03	Carton Liner, Elevation 48 inch
28	9011374-03	9011374-03		9011374-03	9011374-03	Carton, Elevation 48 inch
29	9011320-06	9011320-06		9011320-06	9011320-06	Corner Post, (4 Required)
30	9051765-01	9051765-01		9051765-01	9051765-01	Shipping Bracket 4 Req. (Field Installed)
31	9031241-01P	9031241-01P		9031241-01P	9031241-01P	Screw



Item No.	Model Number		Description
	CIM1845	CIM1545	
1	2031546-01S	2031546-01S	Front Panel
2	9031098-02P	9031098-02P	Front Panel Screws
2N	9031141-01P	9031141-01P	Plastic Nut
3	3022007-05	3022007-05	Left Side Side Panel-Air Cooled (Solid)
4	3022007-05	3022007-05	Left Side Panel-Remote and Water Cooled
5	3022012-05	3022012-05	Top Panel-Remote and Water Cooled
6	3022012-09	3022012-09	Top Panel-Air Cooled
7	3013634-03	3013634-03	Rear Cover, Remote
8	9031046-01P	9031046-01P	Rear Cover Screws
9	3022007-04	3022007-04	Right Side Panel-Air Cooled
10	3022007-06	3022007-06	Right Side Panel-Remote and Water Cooled
11	3013674-01	3013674-01	Junction Box Cover
12	2101494-01	2101494-01	Junction Box
13	9031046-01P	9031046-01P	Junction Box Screw
14	2021801-01	2021801-01	Left Front Corner post
15	2021801-02	2021801-02	Right Front Corner post
16	2101505-01	2101505-01	Base
17	3013636-02	3013636-02	Rear Brace 48
18	3013637-03	3013637-03	Front Brace
19	3013705-01	3013705-01	Cross Brace
20	3013722-01	3013722-01	Top Right Frame Work
21	2021808-01	2021808-01	Right Rear Corner
22	2021812-01	2021812-01	Top Left Frame 48 inch
23	2021806-01	2021806-01	Left Side Framework Assembly 48 inch
24	2021800-01	2021800-01	Front Left Brace Assembly
25	2021800-02	2021800-02	Front Right Brace Assembly
26	9011369-01	9011369-01	Elevation Skid
27	9011378-03	9011378-03	Carton Liner, Elevation 48 inch
28	9011374-03	9011374-03	Carton, Elevation 48 inch
29	9011320-06	9011320-06	Corner Post, (4 Required)
30	9051765-01	9051765-01	Shipping Bracket 4 Req. (Field Installed)
31	9031241-01P	9031241-01P	Screw

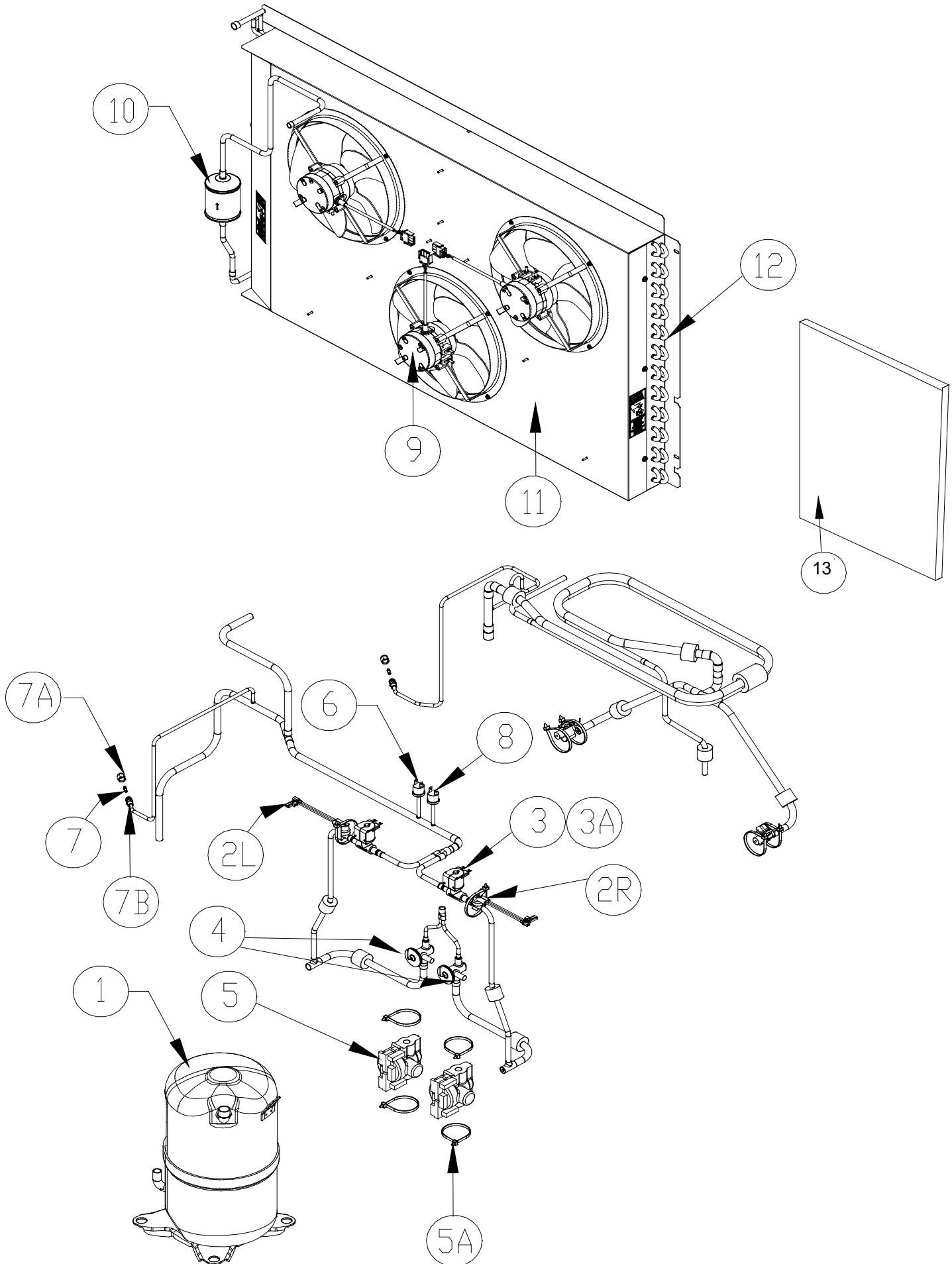


Item No.	Model Number		CIM1545		CIM1845	Description
	CIM1446 CIM1447	CIM2046 CIM2047				
1	9051823-01S	9051823-01S	9051823-01S	9051823-01S	9051823-01S	Lower Curtain Assembly
2	9051760-01	9051760-01	9051760-01	9051760-01	9051760-01	Evaporator Cover
3	9021010-06	9021010-06	9021010-06	9021010-06	9021010-06	Hose Clamp, Plastic
4	9051766-01	9051766-01	9051766-01	9051766-01	9051766-01	Water Distribution Tube Assembly
5	9051749-06	9051749-06	9051749-06	9051749-06	9051749-06	Water Tube, Lower, Dual
6	9091177-02	9091177-02	9091177-02	9091177-02	9091177-02	Coupler, Straight, 5/8 I.D. Tubing
7	9051748-01	9051748-01	9051748-01	9051748-01	9051748-01	Water Tube, Sump
8	9051771-01	9051771-01	9051771-01	9051771-01	9051771-01	Sump/Dual Evap
9	9161145-02S	9161145-02S	9161145-02S	9161145-02S	9161145-02S	Water Pump
10	9041105-05	9041105-05	9041105-05	9041105-05	9041105-05	Purge Valve
11	9051738-01	9051738-01	9051738-01	9051738-01	9051738-01	Top Cover
12	9041108-03	9041108-03	9041108-03	9041108-03	9041108-03	Water Inlet Valve
13	9091140-01	9091140-01	9091140-01	9091140-01	9091140-01	Purge Drain Fitting
14	9021010-04	9021010-04	9021010-04	9021010-04	9021010-04	Hose Clamp, Plastic
15	1051224-01	1051224-01	1051224-01	1051224-01	1051224-01	Float Switch Assembly (Includes Instructions)
16	9051781-31	9051781-31	9051781-31	9051781-31	9051781-31	Purge Valve Tubing to Drain
16a	9051873-01	9051873-01	9051873-01	9051873-01	9051873-01	Purge Valve Tubing to Drain (Rev 5 & UP- Right Evap.)
16b	9051855-01	9051855-01	9051855-01	9051855-01	9051855-01	Purge Valve Tubing to Drain (Rev 5 & Up- Left Evap.)
17	9051541-01	9051541-01	9051541-01	9051541-01	9051541-01	Purge Tube
18	9051739-01	9051739-01	9051739-01	9051739-01	9051739-01	Inlet Outlet Bracket
19	1051380-01B*	1051380-01B*	1051380-01B*	1051380-01B*	1051380-01B*	Evaporator-FULL Cube tp (1051223-05 NLA)
19	1051380-02B*	1051380-02B*	1051380-02B*	1051380-02B*	1051380-02B*	Evaporator-HALF Cube tp (1051223-06 NLA)
20	9051782-36	9051782-36	9051782-36	9051782-36	9051782-36	Tubing, Water Inlet
21	9051749-07	9051749-07	9051749-07	9051749-07	9051749-07	Water Tube, Upper Dual
22	9091181-01	9091181-01	9091181-01	9091181-01	9091181-01	Coupler, Tee, 5/8 I.D. Tubing
23	9051758-01	9051758-01	9051758-01	9051758-01	9051758-01	Evaporator Support Left Side
24	9051759-01	9051759-01	9051759-01	9051759-01	9051759-01	Evaporator Support Right Side
25	2021800-01	2021800-01	2021800-01	2021800-01	2021800-01	Front Left Brace Assembly
26	2021800-02	2021800-02	2021800-02	2021800-02	2021800-02	Front Right Brace Assembly
27	9051767-01	9051767-01	9051767-01	9051767-01	9051767-01	Base, 48 inch Cuber
28	9031046-01P	9031046-01P	9031046-01P	9031046-01P	9031046-01P	Screw, 10-16 x 1/2
29	1051244-01	1051244-01	1051244-01	1051244-01	1051244-01	Left Side Sump Tab Replacement Kit
30	1051245-01	1051245-01	1051245-01	1051245-01	1051245-01	Right Side Sump Tab Replacement Kit
31	9051744-01	9051744-01	9051744-01	9051744-01	9051744-01	Harvest Assist Guide (for unit S/Ns before #2102)
31	9051001-02	9051001-02	9051001-02	9051001-02	9051001-02	Harvest Assist Guide (for unit S/Ns 2102 & above)
32	9051840-01	9051840-01	9051840-01	9051840-01	9051840-01	Poppet Valve (for the Evaporator Sump)
	2021776-01S	2021776-01S	2021776-01S	2021776-01S	2021776-01S	Compressor Base (Not Shown)
15T	9041112-01	9041112-01	9041112-01	9041112-01	9041112-01	Float Thermistor

The Model Number of the machine has a designator for the Cube Size

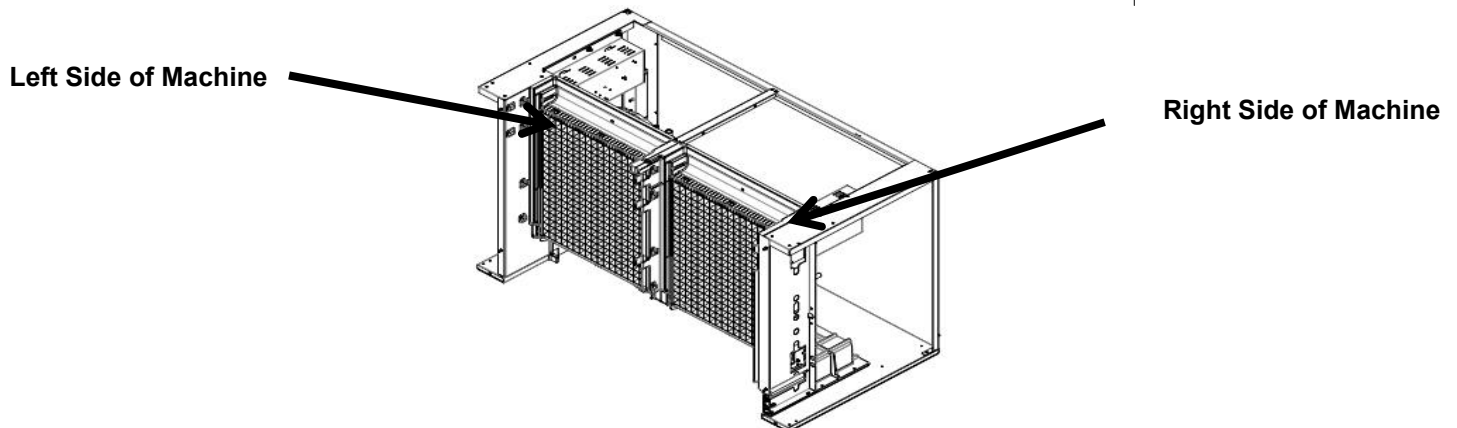
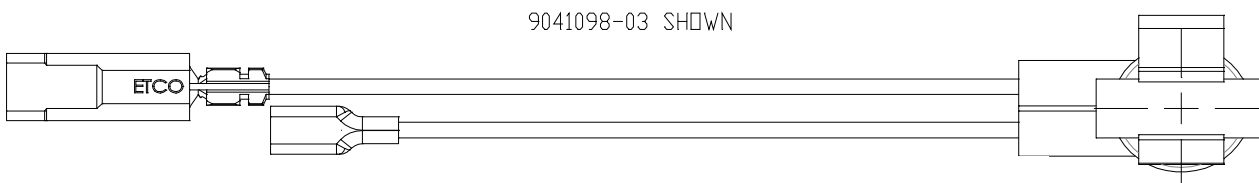
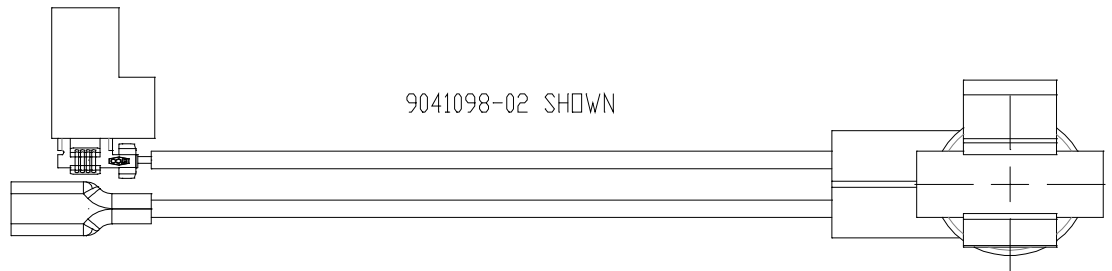
Example: CIM1446**FA** **F** = Full Cube Cube Size = 7/8 x 7/8 x 7/8
 CIM1446**HA** **H** = Half Cube Cube Size = 3/8 x 7/8 x 7/8

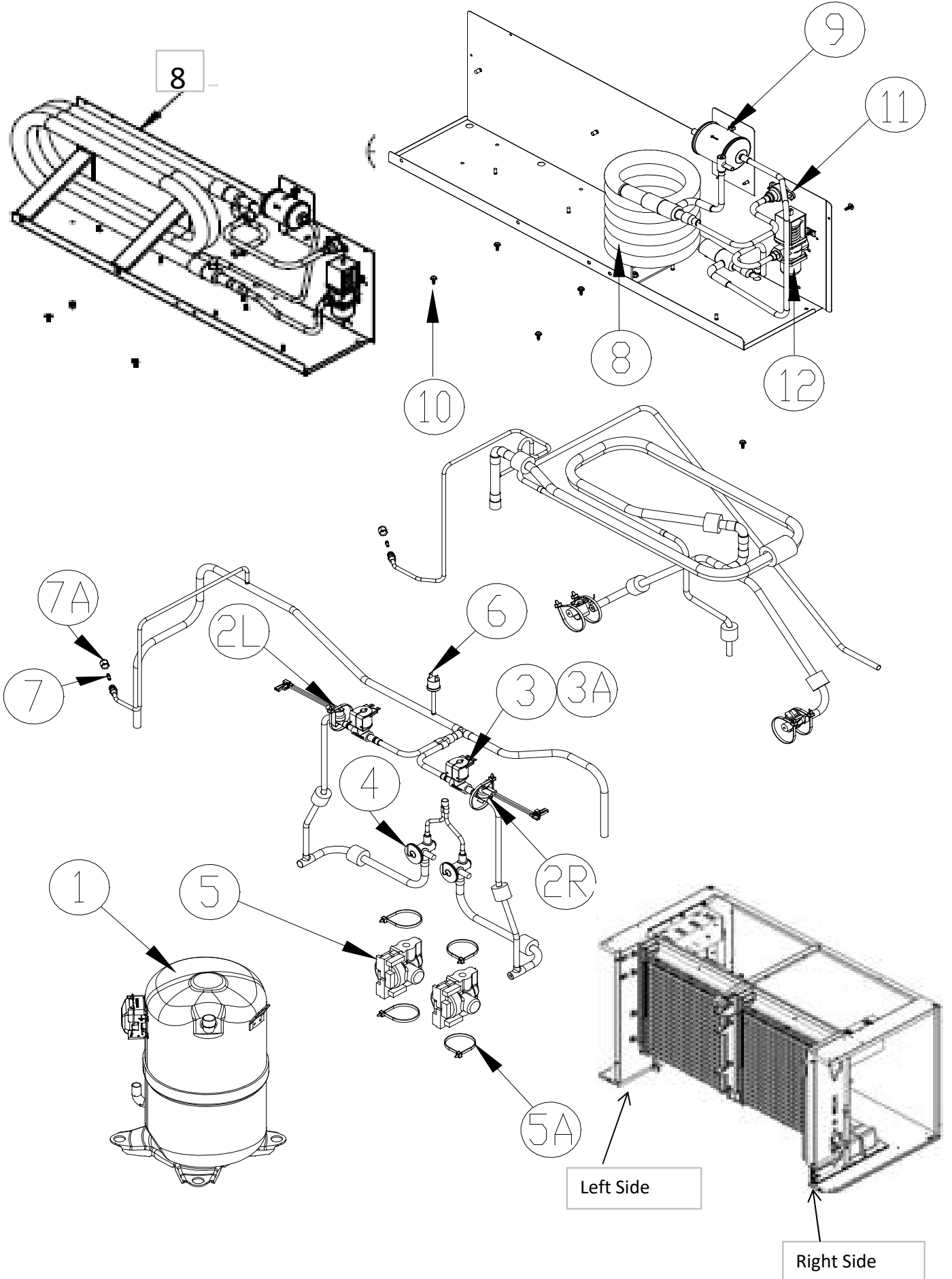
*Note: The Left Hand Evaporator and Right Hand Evaporator have the same Part Number



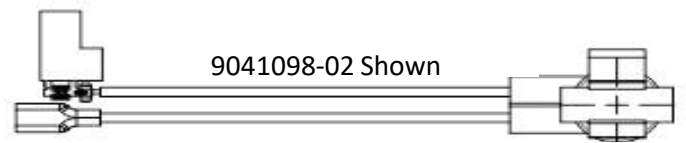
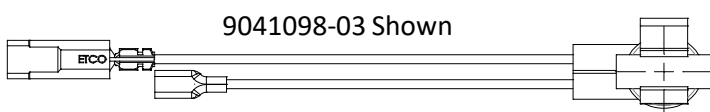
Item No.	Model Number					Description
	CIM1446A	CIM1447A	CIM2046	CIM1545A	CIM1845A	
1	9181197-11	9181143-12	9181143-11	9181142-13	9181143-12	Compressor Kit
2R	9041098-02	9041098-02	9041098-02	9041098-02	9041098-02	High Temp Switch-Right Side of the machine
2L	9041098-03	9041098-03	9041098-03	9041098-03	9041098-03	High Temp Switch-Left Side of the machine
3	9151193-02	9151193-02	9151193-02	9151193-02	9151193-02	Hot Gas Valve Coil (240 V)
3A	9151192-102	9151192-102	9151192-102	9151192-102	9151192-102	Hot Gas Valve Body
4	9151152-101	9151165-101	9151165-101	9151165-101	9151165-101	TXV
5	9131544-01	9131544-01	9131544-01	9131544-01	9131544-01	Insulation, TXV
5A	9021021-01	9021021-01	9021021-01	9021021-01	9021021-01	Cable Tie-For TXV and Bulb Insulation
6	9041106-01	9041106-01	9041106-01	9041106-01	9041106-01	Switch, Fan Cycle
7	9091086-03	9091086-03	9091086-03	9091086-03	9091086-03	Service Valve Cap
7A	9091086-02	9091086-02	9091086-02	9091086-02	9091086-02	Service Valve Core
7B	9091086-01	9091086-01	9091086-01	9091086-01	9091086-01	Service Valve Stem
8	9041111-01	9041111-01	9041111-01	9041111-01	9041111-01	Switch, High Pressure
9	9161150-22	9161150-22	9161150-22	9161150-22	9161150-22	Fan Motor Assembly (Motors the Same)
10	9151163-02	9151163-02	9151163-02	9151163-02	9151163-02	Drier (Included in Compressor Kit)
11	3013639-02	3013639-02	3013831-01	3013639-02	3013639-02	Fan Shroud
12	9141154-01	9141154-01	9141154-02	9141154-01	9141154-01	Condenser
13	9131574-03	9131574-03	9131574-03	9131574-03	9131574-03	Air Filter

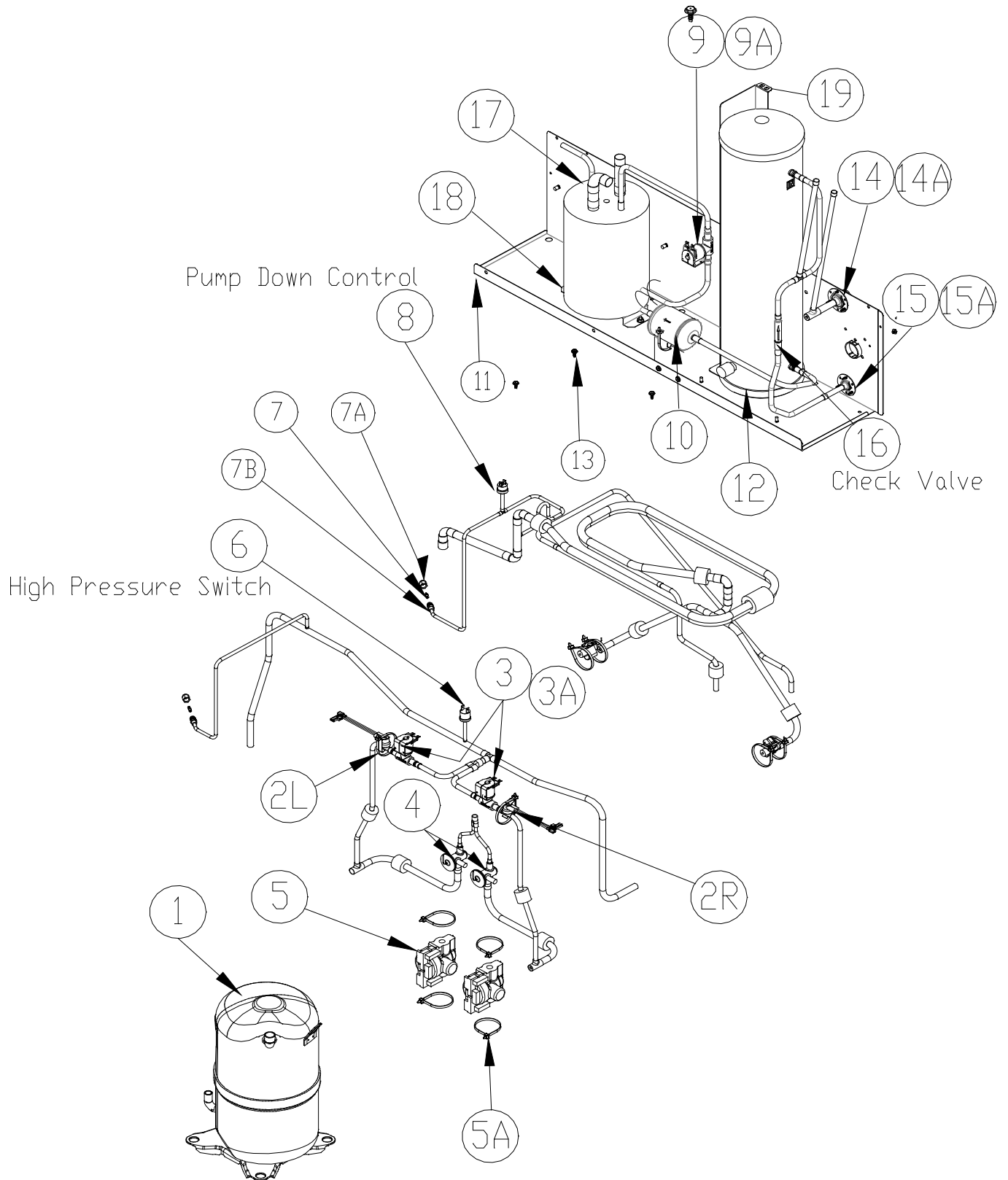
	208-230/60/1	208-230/60/3	208-230/60/1	220-240/50/1	220-240/50/1	← Machine Voltage
	CIM1446	CIM1447	CIM2046	CIM1545	CIM1845	Starting Components (Included in Comp Kit)
	9181197-11	9181143-12	9181143-11	9181142-13	9181143-12	Compressor Kit
	9181003-21	N/A	9181003-21	9181003-19	9181003-20	Start Capacitor
	9181009-25	N/A	9181009-20	9181009-13	9181009-13	Run Capacitor
	9181010-10	N/A	9181010-10	9181010-10	9181010-04	Compressor Relay
	Internal	Internal	Internal	Internal	Internal	Overload



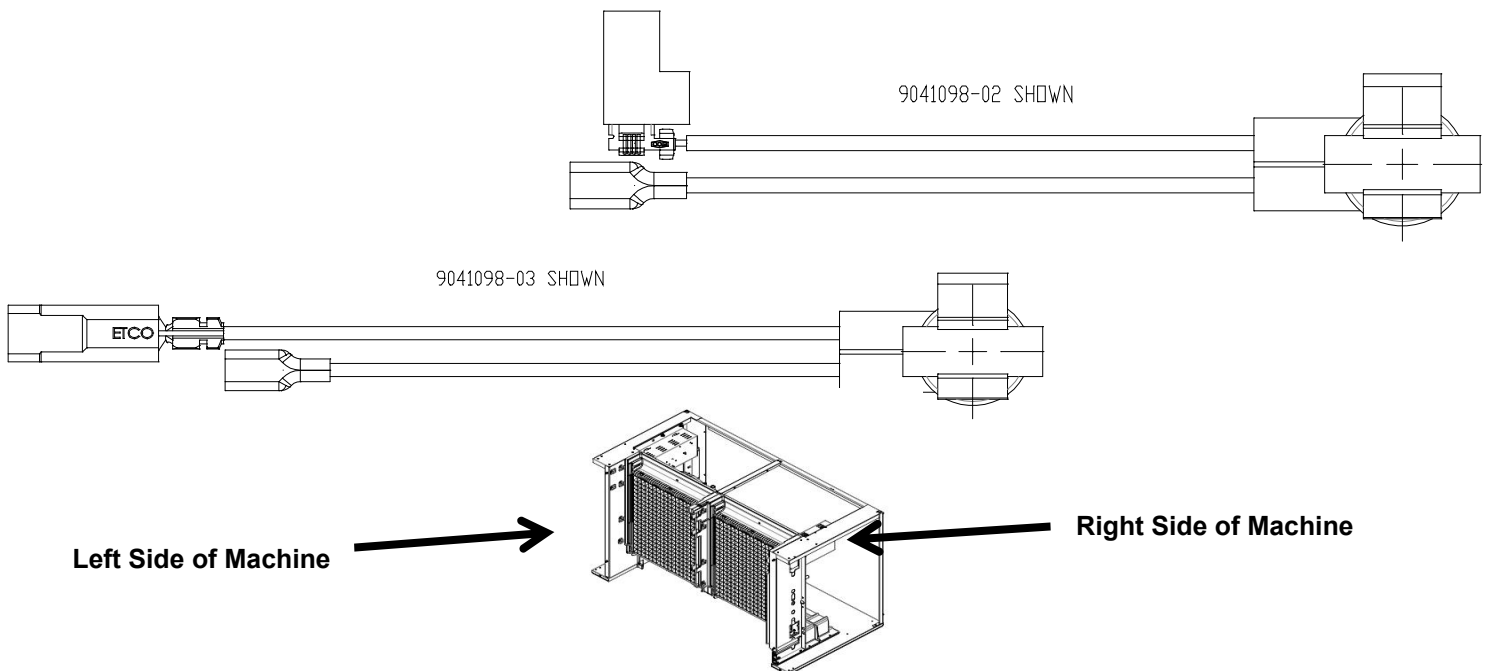


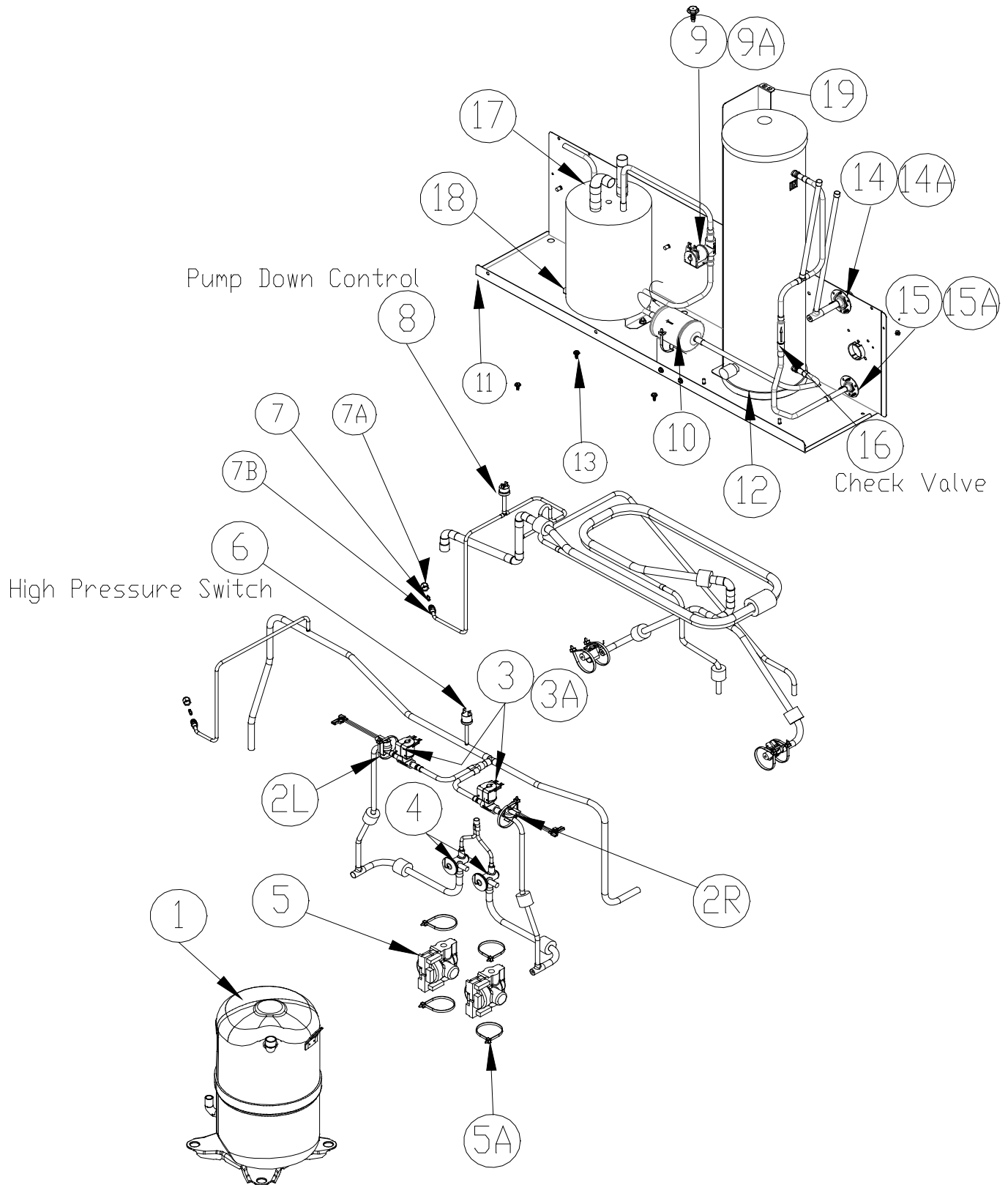
Item No.	Model Number				Description
	CIM1446W	CIM1447W	CIM2046W	CIM2047W	
1	9181142-11	9181142-12	9181143-11	9181143-13	Compressor Kit
2R	9041098-02	9041098-02	9041098-02	9041098-02	High Temp Switch-Right side of the machine
2L	9041098-03	9041098-03	9041098-03	9041098-03	High Temp Switch-Left side of the machine
3	9151192-102	9151192-102	9151198-101	9151198-101	Hot Gas Valve Body
3A	9151193-02	9151193-02	9151193-02	9151193-02	Hot Gas Valve Coil
4	9151152-101	9151152-101	9151199-101	9151199-101	TXV
5	9131544-01	9131544-01	9131544-01	9131544-01	Insulation, TXV
5A	9021025-01	9021025-01	9021025-01	9021025-01	Cable Tie-For TXV and Bulb Insulation
6	9041111-01	9041111-01	9041111-01	9041111-01	Switch, High Pressure
7	9091086-03	9091086-03	9091086-03	9091086-03	Service Valve Cap
7A	9091086-02	9091086-02	9091086-02	9091086-02	Service Valve Core
7B	9191086-01	9191086-01	9091086-01	9091086-01	Service Valve Stem
8	9141157-01	9141157-01	9141158-01	9141158-01	Water Cooled Condenser
9	9151163-02	9151163-02	9151163-02	9151163-02	Drier (Included in Compressor Kit)
10	9031046-01P	9031046-01P	9031046-01P	9031046-01P	Screw
11	9091063-02	9091063-02	9091063-02	9091063-02	Condenser Outlet Fitting
12	9041059-01	9041059-01	9041056-01	9041056-01	Water Regulator
	CIM1446W	CIM1447W	CIM2046W	CIM2047	Starting Components (Included in Comp Kit)
	9181142-11	9181142-12	9181143-11	9181143-13	Compressor Kit
	9181003-21	N/A	9181003-21	N/A	Start Capacitor
	9181009-20	N/A	9181009-20	N/A	Run Capacitor
	9181010-10	N/A	9181010-10	N/A	Potential Relay
	Internal	Internal	Internal	Internal	Overload
	208-230/60/1	208-230/60/3	208-230/60/1	208-230/60/3	← Machine Voltage
Item No.	Model Number				Description
			CIM1545W	CIM1845W	
			9181142-13	9181143-12	Compressor Kit
1			9041098-02	9041098-02	High Temp Switch-Right side of the machine
2R			9041098-03	9041098-03	High Temp Switch-Left side of the machine
2L			9151192-102	9151192-102	Hot Gas Valve Body
3			9151193-02	9151193-02	Hot Gas Valve Coil
3A			9151165-101	9151199-101	TXV
4			9131544-01	9131544-01	Insulation, TXV
5			9021025-01	9021025-01	Cable Tie-For TXV and Bulb Insulation
6			9041111-01	9041111-01	Switch, High Pressure
7			9091086-03	9091086-03	Service Valve Cap
7A			9091086-02	9091086-02	Service Valve Core
7B			9091086-01	9091086-01	Service Valve Stem
8			9141157-01	9141157-01	Water Cooled Condenser
9			9151163-02	9151163-02	Drier (Included in Compressor Kit)
10			9031046-01P	9031046-01P	Screw
11			9091063-02	9091063-02	Condenser Outlet Fitting
12			9041059-01	9041059-01	Water Regulator
			CIM1545W	CIM1845W	Starting Components (Included in Comp Kit)
			9181142-13	9181143-12	Compressor Kit
			9181003-19	9181003-34	Start Capacitor
			9181009-13	9181009-20	Run Capacitor
			9181010-10	9181010-04	Potential Relay
			Internal	Internal	Overload
			208-230/50/1	208-230/50/1	← Machine Voltage



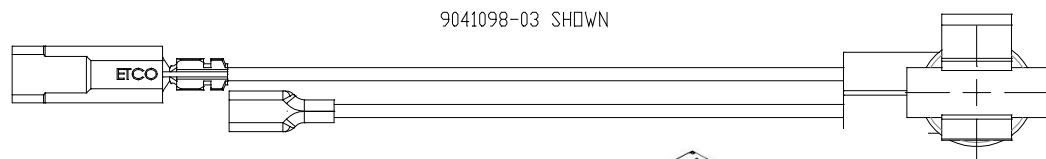
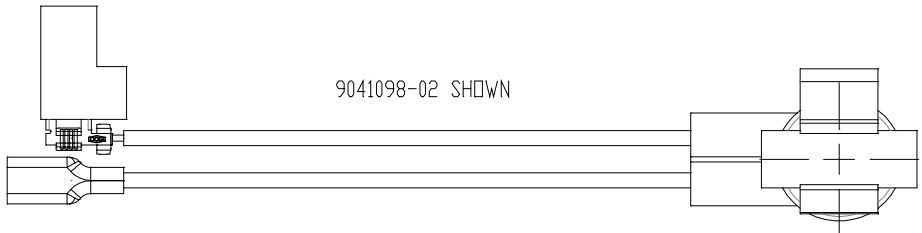


Item No.	Model Number				Description	
	CIM1446R	CIM1447R		CIM2046R		CIM2047R
1B	9181142-11	9181142-12		9181143-11	9181143-13	Compressor Kit
2R	9041098-02	9041098-02		9041098-02	9041098-02	High Temp Switch-Right side of the machine
2L	9041098-03	9041098-03		9041098-03	9041098-03	High Temp Switch-Left side of the machine
3	9151192-102	9151192-102		9151198-101	9151198-101	Hot Gas Valve Body
3A	9151193-02	9151193-02		9151193-02	9151193-02	Hot Gas Valve Coil
4	9151152-101	9151165-101		9151152-101	9151152-101	TXV
5	9131544-01	9131544-01		9131544-01	9131544-01	Insulation, TXV
5A	9021025-01	9021025-01		9021025-01	9021025-01	Cable Tie-For TXV and Bulb Insulation
6	9041111-01	9041111-01		9041111-01	9041111-01	Switch, High Pressure
7	9091086-03	9091086-03		9091086-03	9091086-03	Service Valve Cap
7A	9091086-02	9091086-02		9091086-02	9091086-02	Service Valve Core
7B	9191086-01	9191086-01		9091086-01	9091086-01	Service Valve Stem
8	9041092-02	9041092-02		9041092-02	9041092-02	Pump Down Control
9	9151192-02	9151192-02		9151192-02	9151192-02	Liquid Line Solenoid
9A	9151193-02	9151193-02		9151193-02	9151193-02	Liquid Line Coil
10	9151163-02	9151163-02		9151163-02	9151163-02	Drier (Included in Compressor Kit)
11	2021807-01	2021807-01		2021807-01	2021807-01	Base
12	9151060-01	9151060-01		9151109-01	9151109-01	Receiver
13	9031046-01P	9031046-01P		9031046-01P	9031046-01P	Screws
14	9091001-09	9091001-09		9091001-09	9091001-09	1/2 Inch Coupling Flange (Large)
14A	9091001-12	9091001-12		9091001-12	9091001-12	1/2 Inch Coupling (Large)
15	9091001-03	9091001-03		9091001-03	9091001-03	3/8 Inch Coupling Flange (Small)
15A	9091001-11	9091001-11		9091001-11	9091001-11	3/8 Inch Coupling (Small)
16	9151139-01	9151139-01		9151139-01	9151139-01	Check Valve
17	NA	NA		2091241-01	2091241-01	Accumulator
18	NA	NA		3013721-01	3013721-01	Accumulator Support bracket
19	NA	NA		3013710-01	3013710-01	Large Receiver Bracket
	CIM1446R	CIM1447R		CIM2046R	CIM2047R	Starting Components (Included in Comp Kit)
	9181142-11	9181142-12		9181143-11	9181143-13	Compressor Kit
	9181003-19	N/A		9181003-21	N/A	Start Capacitor
	9181009-12	N/A		9181009-20	N/A	Run Capacitor
	9181010-10	N/A		9181010-10	N/A	Potential Relay
	Internal	Internal		Internal	Internal	Overload
	208-230/60/1	208-230/60/3		208-230/60/1	208-230/60/3	← Machine Voltage

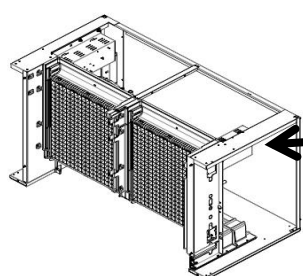




Item No.	Model Number		Description
	CIM1545R	CIM1845R	
1B	9181142-13	9181143-12	Compressor Kit
2R	9041098-02	9041098-02	High Temp Switch-Right side of the machine
2L	9041098-03	9041098-03	High Temp Switch-Left side of the machine
3	9151192-102	9151198-101	Hot Gas Valve Body
3A	9151193-02	9151193-02	Hot Gas Valve Coil
4	9151165-101	9151152-101	TXV
5	9131544-01	9131544-01	Insulation, TXV
5A	9021025-01	9021025-01	Cable Tie-For TXV and Bulb Insulation
6	9041111-01	9041111-01	Switch, High Pressure
7	9091086-03	9091086-03	Service Valve Cap
7A	9091086-02	9091086-02	Service Valve Core
7B	9091086-01	9091086-01	Service Valve Stem
8	9041092-02	9041092-02	Pump Down Control
9	9151192-02	9151192-02	Liquid Line Solenoid
9A	9151193-02	9151193-02	Liquid Line Coil
10	9151163-02	9151163-02	Drier (Included in Compressor Kit)
11	2021807-01	2021807-01	Base
12	9151060-01	9151109-01	Receiver
13	9031046-01P	9031046-01P	Screws
14	9091001-09	9091001-09	1/2 Inch Coupling Flange (Large)
14A	9091001-12	9091001-12	1/2 Inch Coupling (Large)
15	9091001-03	9091001-03	3/8 Inch Coupling Flange (Small)
15A	9091001-11	9091001-11	3/8 Inch Coupling (Small)
16	9051139-01	9051139-01	Check Valve
17	NA	2091241-01	Accumulator
18	NA	3013721-01	Accumulator Support bracket
19	3013678-01	3013710-01	Receiver Support
	CIM1545R	CIM1845R	Starting Components (Included in Comp Kit)
	9181142-13	9181143-12	Compressor Kit
	9181003-19	9181003-34	Start Capacitor
	9181009-13	9181009-20	Run Capacitor
	9181010-10	9181010-04	Potential Relay
	Internal	Internal	Overload
	208-230/50/1	208-230/50/1	← Machine Voltage

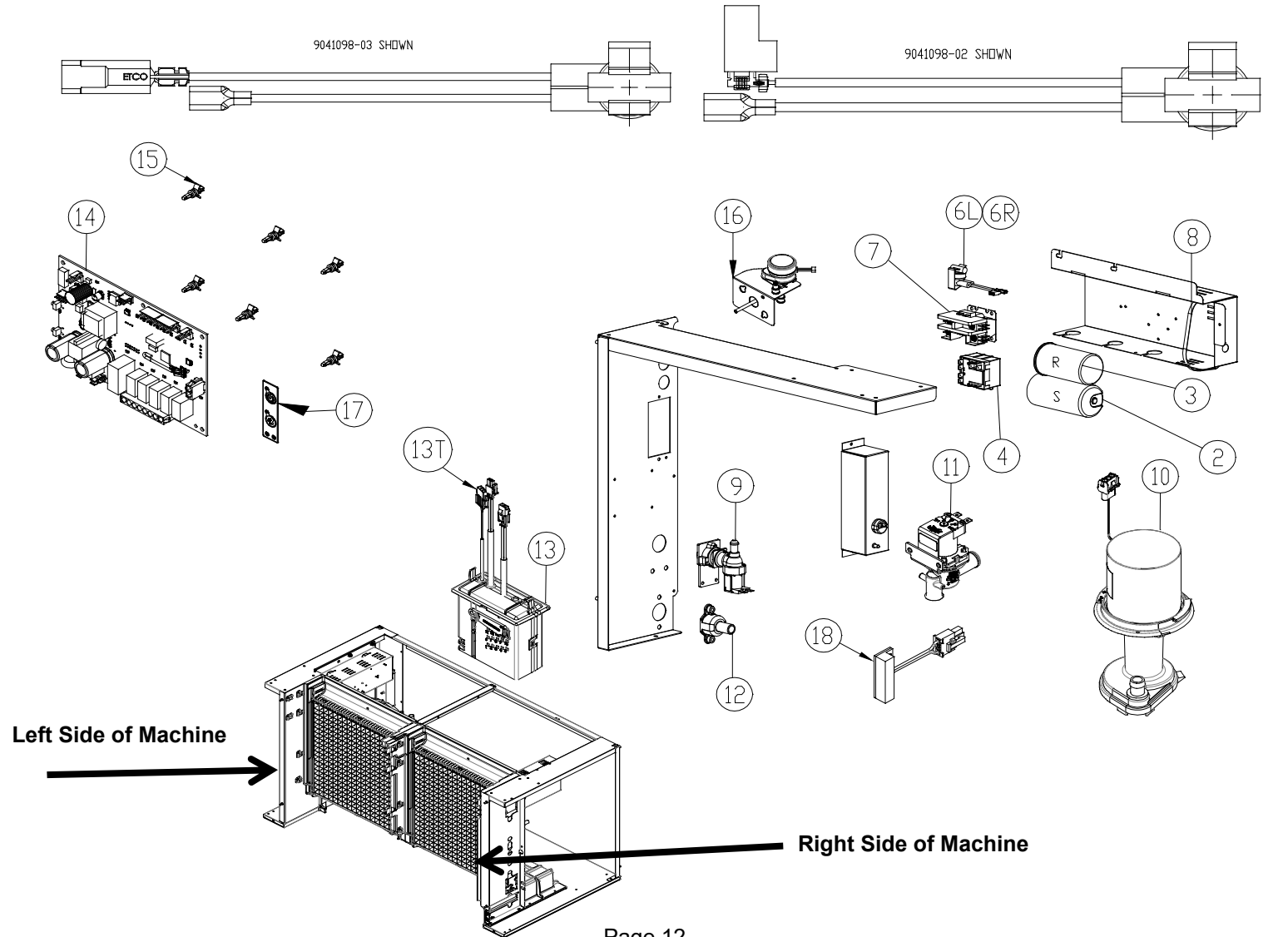


Left Side of Machine



Right Side of Machine

Item No.	Model Number				Description	
	CIM1446	CIM1447		CIM2046		CIM2047
1	9181142-11	9181142-12		9181143-11	9181143-13	Compressor
2	9181003-21	N/A		9181003-21	N/A	Start Capacitor
3	9181009-20	N/A		9181009-20	N/A	Run Capacitor
4	9181010-10	N/A		9181010-10	N/A	Relay
5	Internal	Internal		Internal	Internal	Overload
6R	9041098-02	9041098-02		9041098-02	9041098-02	High Temp Switch-Right side of the machine
6L	9041098-03	9041098-03		9041098-03	9041098-03	High Temp Switch-Left side of the machine
7	9101002-06	9101079-02		9101002-06	9101079-02	Contact
8	9021096-01	9021096-01		9021096-01	9021096-01	Cable Tie, Metal
9	9041108-03	9041108-03		9041108-03	9041108-03	Valve, Water Inlet
10	9161145-02S	9161145-02S		9161145-02S	9161145-02S	Water Pump
11	9041105-05	9041105-05		9041105-05	9041105-05	Purge Valve
12	9091140-01	9091140-01		9091140-01	9091140-01	Purge Drain
13	1051224-01	1051224-01		1051224-01	1051224-01	Float Switch Assembly (Includes Instructions)
13T	9041112-01	9041112-01		9041112-01	9041112-01	Float Thermister
14	9101414-01S	9101414-01S		9101414-01S	9101414-01S	Board Dual Voltage
15	9051698-01P	9051698-01P		9051698-01P	9051698-01P	Plastic Standoff, Control Board (Pkg of 10)
16	9161134-02	9161134-02		9161134-02	9161134-02	Harvest Assist
17	9101394-01	9101394-01		9101394-01	9101394-01	Membrane Switch
18	9101379-01	9101379-01		9101379-01	9101379-01	Switch, Magnetic Reed (Bin Control On Evap)
	208-230/60/1	208-230/60/3		208-230/60/1	208-230/60/3	← Machine Voltage



Item No.	Model Number		Description
	CIM1545	CIM1845	
1	9181142-13	9181143-12	Compressor
2	9181003-19	9181003-34	Start Capacitor
3	9181009-13	9181009-20	Run Capacitor
4	9181010-10	9181010-04	Relay
5	Internal	Internal	Overload
6R	9041098-02	9041098-02	High Temp Switch-Right side of the machine
6L	9041098-03	9041098-03	High Temp Switch-Left side of the machine
7	9101002-08	9101002-08	Contact
8	9021096-01	9021096-01	Cable Tie, Metal
9	9041108-03	9041108-03	Valve, Water Inlet
10	9161145-02S	9161145-02S	Water Pump
11	9041105-05	9041105-05	Purge Valve
12	9091140-01	9091140-01	Purge Drain
13	1051224-01	1051224-01	Float Switch Assembly (Includes Instructions)
13T	9041112-01	9041112-01	Float Thermister
14	9101414-01S	9101414-01S	Board Dual Voltage
15	9051698-01P	9051698-01P	Plastic Standoff, Control Board (Pkg of 10)
16	9161134-02	9161134-02	Harvest Assist
17	9101394-01	9101394-01	Membrane Switch
18	9101379-01	9101379-01	Switch, Magnetic Reed (Bin Control On Evap)
	220-240/50/1	220-240/50/1	← Machine Voltage

